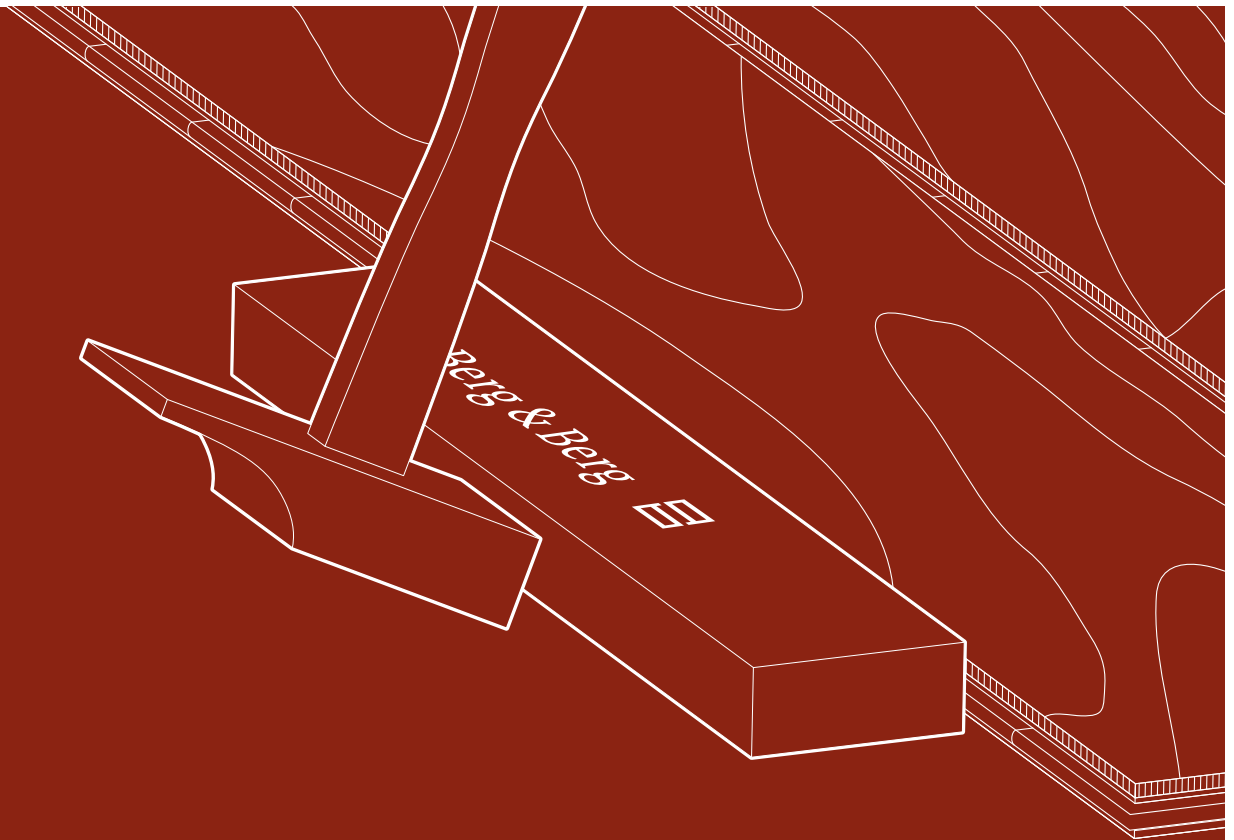


INSTALLATION AND MAINTENANCE

Berg & Berg 

SWEDISH
BY
NATURE



We ask that you spare a few moments to read and follow the installation and maintenance instructions in order to enjoy the benefit of your carefully chosen Berg & Berg floor for many years.

1 | PREPARATION

1.1 APPLICATION _ Berg & Berg engineered flooring can be laid as a floating floor or glued down to the subfloor. The advanced Svedloc-profile makes the installation simple, safe and durable. Berg & Berg flooring is suitable for installation on watercirculating underfloor heating (radiant heated floor).

1.2 AMBIENT CONDITIONS _ All rooms shall be normally heated during installation (minimum 18°C/81°F), the relative humidity must be between 35% and 60%. Maintenance of the correct relative humidity during and after installation reduces the possibility of deformation and the appearance of small openings in the floor. High temperatures from open fireplaces, tiled stoves or intensive sunlight (eg. conservatories) may cause damage. Coverage of floor heating systems with thick rugs or other floor covering is not recommended and may lead to unacceptable heat concentration. During winter months the engineered flooring must remain in unopened packaging for up to 48 hours in order to reach the room temperature. The original packaging shall be opened immediately prior to installation.

1.3 SUBFLOOR _ The subfloor must be free of any carpets, clean, permanently dry, level, firm and structurally sound. Variations in level of the subfloor of more than 2 mm in 1 m (1/8" in 8") have to be filled or planed. Subfloors with direct contact to the soil, sections which are over unheated rooms or crawl spaces or with increased humidity loads like boiler or laundry rooms require additional protection against moisture. Skilled advice will be given from your supplier or contact the technical support centre at www.berg-berg.com.

1.3.1 normal installation

> **HUMIDITY** _ The allowable maximum moisture content on a dry weight basis is for concrete subfloor 2,0%, for anhydrous screed subfloor 0,5% and must be verified before installation.
 > **FOR FLOATING INSTALLATION** _ A moisture barrier of 0,2 mm (6 mil) polyethylene-membrane shall be laid directly on the subfloor with approx. 20 cm (8") overlap. The barrier shall go up the walls a few centimetres (inches). The noise protection of max. 3 mm (1/8") thickness is installed without overlap on top of the moisture barrier.
 > **FOR GLUE-DOWN INSTALLATION** _ A primer shall be applied if required by adhesive supplier. The adhesive shall be elastic and water- and solvent-free. The specific application instructions of the supplier must be obeyed.

1.3.2 with underfloor heating (radiant heating)

The maximum allowable heat output is 55 W/m² (5,1 W/sqft.) and must be evenly distributed over the entire surface of the floor. Surface temperatures must not exceed 27°C (81°F) in all places. At the start of each heating season the temperature shall be gradually increased evenly over 7 days until normal heating levels are achieved. With underfloor heating (radiant heating) some species have a greater tendency to create small splits and openings between the boards than others, eg. Beech and Canadian Maple. Within the range of Berg & Berg there are species with comparable colour and appearance with better performance. Ask your supplier or contact Berg & Berg directly for further assistance at www.berg-berg.com.

> **HUMIDITY** _ The subfloor must be dried by following the heating startup procedure (refer to www.berg-berg.com). The allowable maximum moisture content on a dry weight basis is for concrete subfloor 1,8%, for anhydrous screed subfloor 0,3% and must be verified before installation.
 > **FOR FLOATING INSTALLATION** _ A moisture barrier of 0,2 mm (6 mil) polyethylene-membrane shall be laid directly on the subfloor with approx. 20 cm (8") overlap and taped. The barrier shall go up the walls a few centimetres (inches). The noise protection of max. 3 mm (1/8") thickness is installed without overlap on top of the moisture barrier.
 > **FOR GLUE-DOWN INSTALLATION** _ The adhesive shall be water and solvent free and elastic. Additionally glue shall be applied into the grooves at the ends.

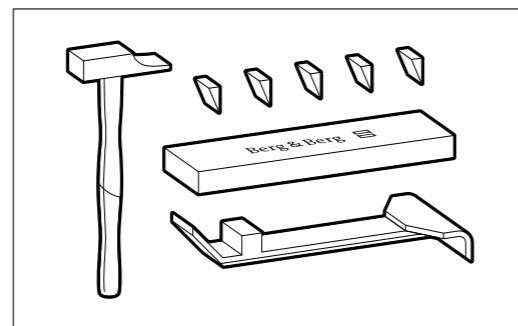
1.3.3 unusual situations

If your installation is different from the above, if the floor area is very large, or if it is an extraordinary shape, or if it has any other special properties, please request skilled advice or contact the technical support centre at www.berg-berg.com.

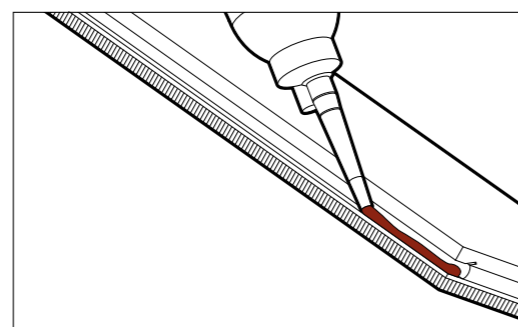
1.4 SPACING _ Wood as a natural material reacts to changes of humidity. Between the flooring and walls, and all other hard points, such as doorframes or heating pipes there must be a gap of min. 10 – 15 mm (1/2"). Wooden spacers along the walls help to keep this distance during installation. Expansion joints must be installed in all doors, or if floor segments are longer than 15 m (50') in the lengthwise direction of the flooring elements, or wider than 9 m (30') perpendicular to it. Wherever possible the flooring is laid under the door frames.

1.5 TOOLS _ Apart of measuring tape, pencil, angle ruler and a saw the following tools are necessary and helpful for a quick and perfect installation: Hammer abt. 800 g, hardwood tapping block abt. 400 x 65 x 25 mm (16 x 3 x 1"/Original Berg & Berg), parquet tool, wooden distance spacers.

1.6 GLUE APPLICATION _ Berg & Berg flooring is delivered with the patented Svedloc connection profile. The installation with glue is recommended. Glueing in the grooves is done with PVC-glue conforming to the requirements of EN 204 (D3). The glue is applied as a continuous bead into the upper part of the groove.



01 | necessary tools



02 | correct glue application

2 | INSTALLATION

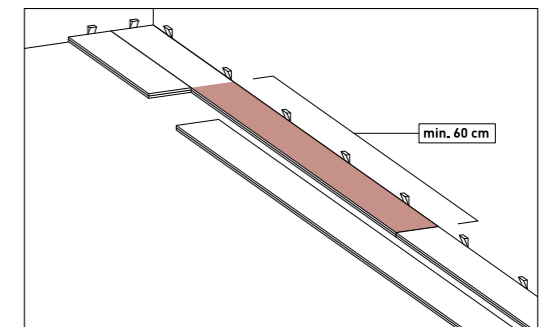
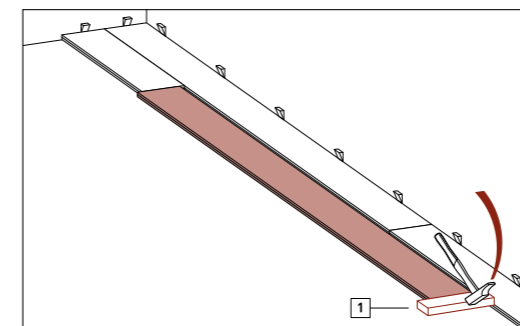
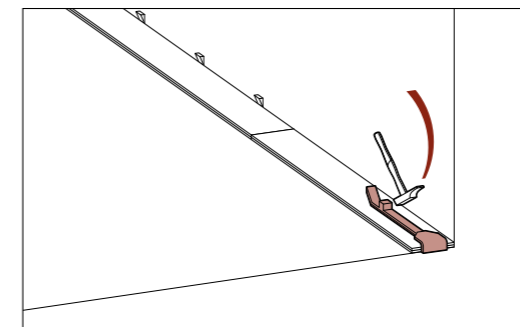
2.1 VISUAL INSPECTION _ Wood is a wholly natural product and each piece unique in colour and design. Our strict quality control procedures cannot completely eliminate possible defects. Should you find a piece which does not conform to our quality, please return it to the supplier for free exchange. Please check the panels and put defect boards aside. Imperfect and already installed boards cannot be claimed.

2.2 THE 1ST LINE _ The order of laying the boards is similar to writing a text onto paper: each word is like a board and you start in the top left corner. Start with a board in the left corner of the room, with the groove against the wall. Link board by board of the first line tightly together. The last board of the first line must be precisely trimmed and put in place with the parquet tool. Where necessary the wood floor shall be shaped to match the course of the wall. The straight alignment of the first few rows of the flooring is extremely important for the successful installation of the rest of the floor. During installation the expansion gap to all walls is secured by wooden spacers.

2.3 CONSECUTIVE LINES _ The remaining trim-off from the line before is used to start the new line. The offset of the end joints of adjacent lines must be min. 60 cm (2'). Apply the glue (as described above) and prelink the boards horizontally. Tightly link the elements step by step using tapping block and hammer. Always use the tapping block between hammer and flooring and only hit against the tongue to prevent damage to the floor. Installation becomes easier if you stand on the ready installed boards.

2.4 REMOVAL OF A BOARD _ If by any means really necessary it is possible to remove the latest installed board as long as the glue is not cured. For this purpose one shall stand on the adjacent installed line and gently lifts the board which shall be removed.

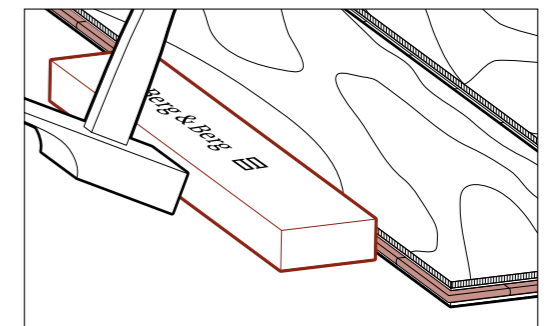
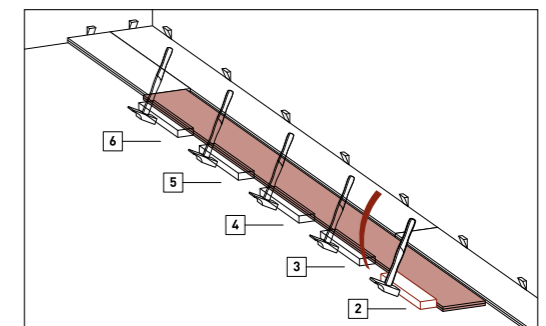
2.5 COMPLETION _ The last lengths are cut to size and inserted with the parquet tool. Immediately after completion of the installation, and during any long interruption to the installation, the wooden spacers must be removed. All expansion gaps are covered with matching mouldings. Remove all dirt and debris from the surface.



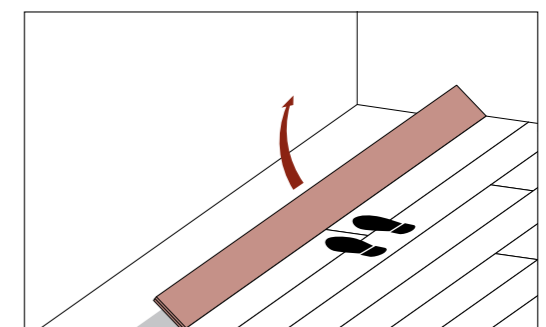
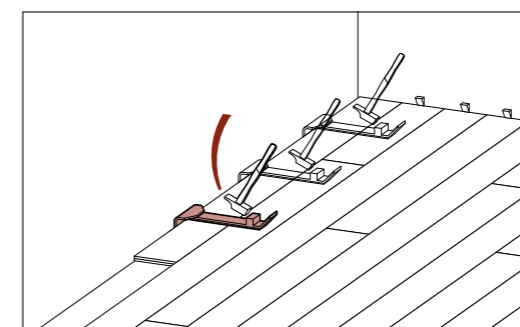
03 | Insert the last element of a row with the parquet tool

04 | Offset of the end joints min. 60 cm

05 | 06 Sequential use of the hammer and tapping block for the correct installation of the board



07 | Tapping block only against the tongue – never against the groove or surface



08 | Insertion of the last row with the parquet tool

09 | Removal of a board

3 | MAINTENANCE

Berg & Berg wooden flooring is delivered with the ready to use Bona UV acrylic lacquer finish or High Solid natural oil (oxygen cured). Both surfaces meet the high level requirements for natural beauty, durability, upkeep and little maintenance.

However accidents can happen. For smaller repairs there are touch-up-kits available. For further information refer to www.berg-berg.com.

3.1 AN OUNCE OF CARE IS BETTER THAN A POUND OF REPAIR The right maintenance from the start is important. With the progress of time the floor becomes less demanding and increasingly stress resistant. By following the recommendations outlined below, keeping your Berg & Berg floor in tip-top condition will require a minimum amount of effort:

- > Loose dirt, dust and grit shall be removed by sweeping or vacuuming.
- > Water causes swelling of the wood and can result in open joints and damage to the floor. Always remove spills and spots immediately with a slightly dampened cloth. Ensure adequate ventilation under flower pots with stick-on floor protectors or equivalent saucers.
- > Low humidity or high temperatures, particularly during winter or on underfloor heating, can result in small open joints and fissures in the wood. A comfortable room environment has a relative humidity of about 50 – 60%. It must not drop below 35%. Air humidifiers during winter are recommended. On underfloor heating the use of thick carpets or other floor coverings must be avoided.
- > A good quality doormat in front or just inside a door will save the floor from abrasive mud and dirt. Plus help to reduce cleaning time.
- > Use casters or slip on floor protectors (no nail-on protectors) under all furniture. Rollers must be soft and meet EN 12529 (bi-coloured rolls). For office furniture chairs there are appropriate protection mats and their use is recommended.
- > Strong cleaners, sand, microfibre, acid or alkaline substances, solvents, stiletto heels, metal or metal wear can damage the finish and cause imprints, scratches or loss of colour and gloss.
- > Only use the following recommended maintenance products and follow the instruction of the suppliers.

3.2 CARE FOR LACQUER FINISH FLOORING (BONA UV-ACRYLIC FINISH)

For the regular cleaning and maintenance use Bona floor care products for lacquer finished floorings (additional informations available at www.bona.com).

3.3 CARE FOR OILED FLOORING

For the regular cleaning and maintenance use care products for oiled floorings from FAXE or WOCA.

A finishing with Maintenance Oil will make the floor highly durable and is always recommended. The species Patagonian Cherry and Patagonian Pear, American Walnut as well as the "Swedish Classics" surfaces always must be surface finished after installation (further information available at www.faxelud.com).

AB Berg & Berg
Flyttblocksvägen 2 | 372 52 Kallinge | Sverige

All rights reserved. Reprint of this instruction even in parts only with written permission of Berg & Berg.

© Berg & Berg 2009